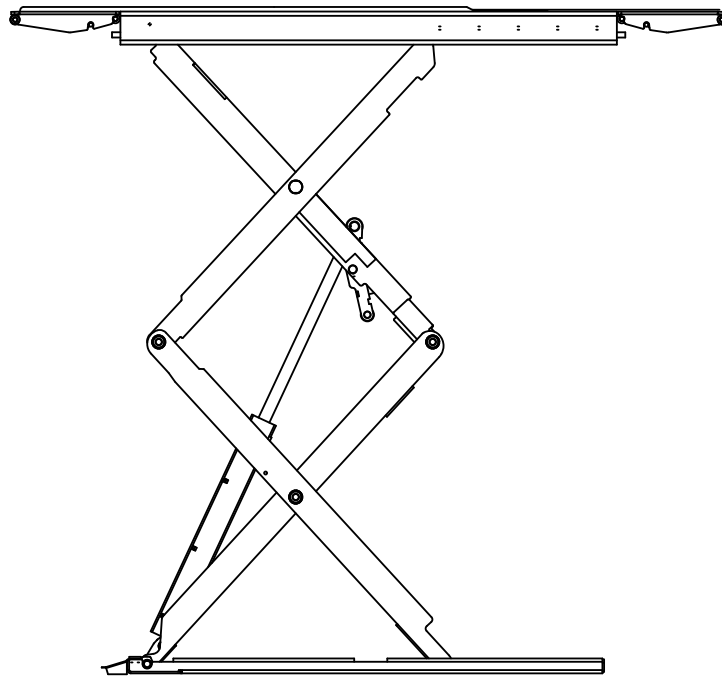


# Parts Breakdown

## X-Force UTV Lift

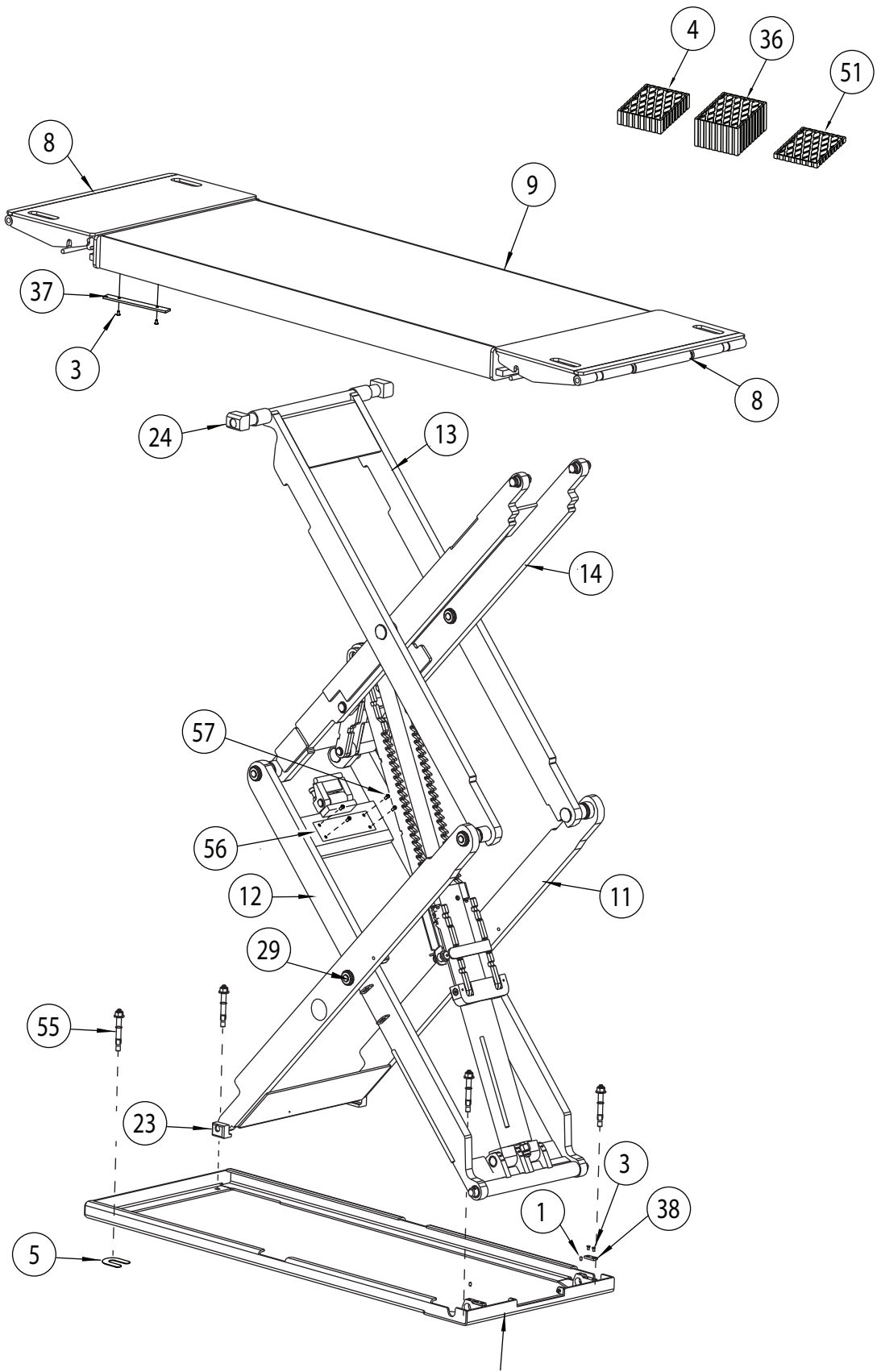
### (000 Series)

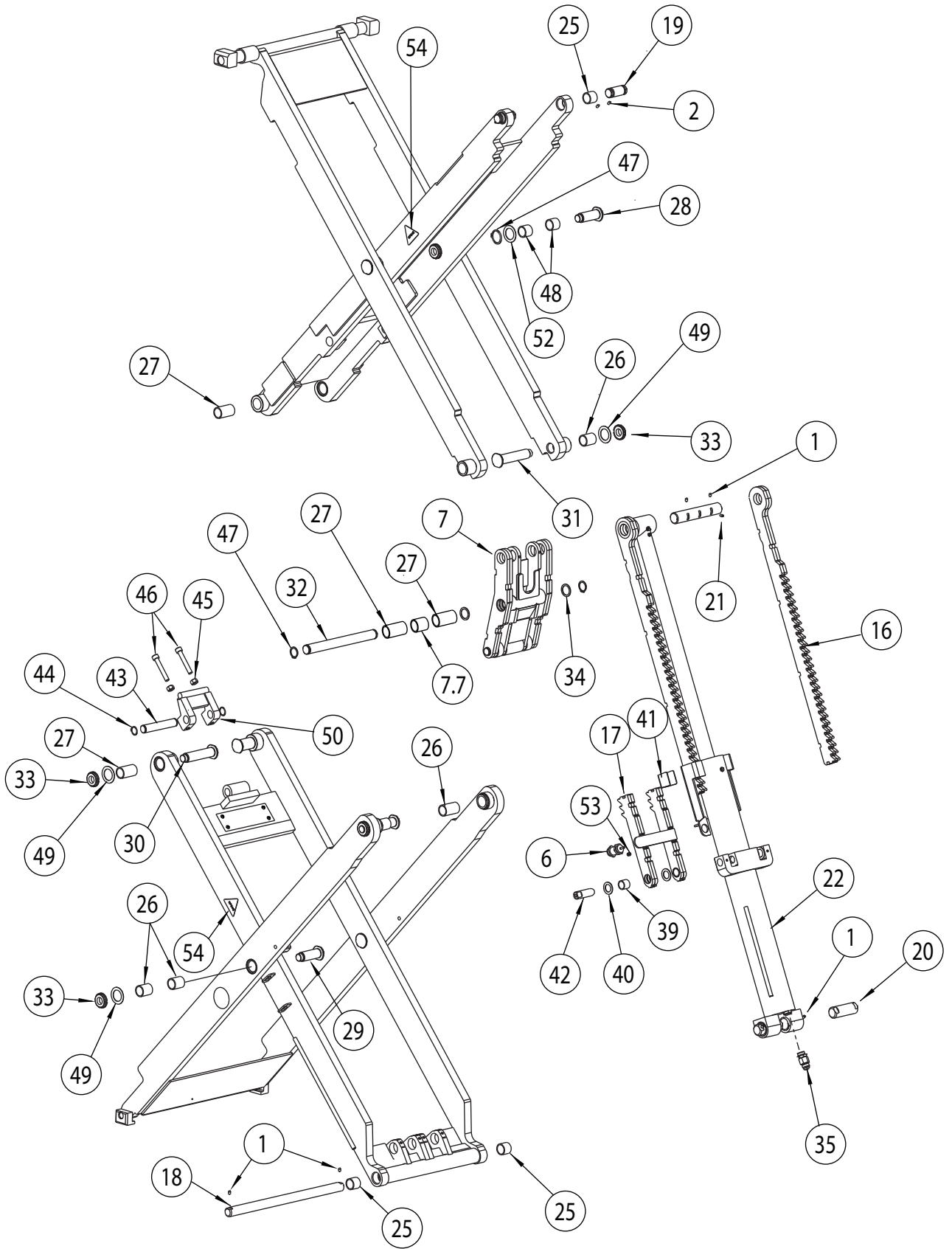
Capacity 2,275 lbs (1,035 kg)

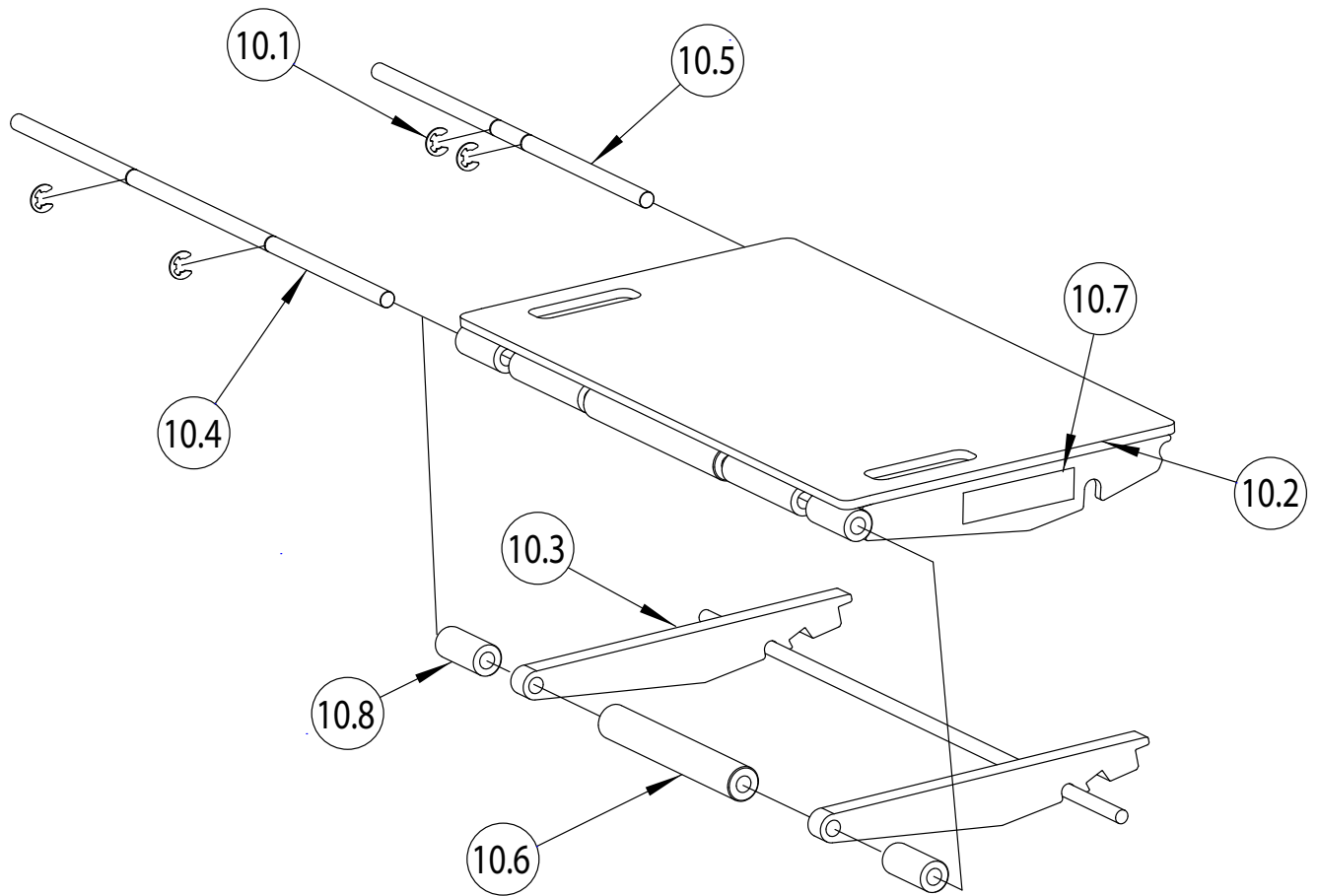


**LP20640**

ITEM	PART NO.	DESCRIPTION
1	B21-6X10	HEX SOCKET SET SCREW WITH FLAT HEAD M6X10
2	B22-6X10	HEX SOCKET HEAD SCREW WITH POINT HEAD M6X10
3	B26-5X10	SOCKET FLAT HEAD COUNTERSUNK MS M5X10
4	FJ2427	RUBBER BLOCK
5	30400-1025	SHIM
6	ML50-1605	LOCK RELEASE AIR CYLINDER
7	XX110001	KICKER ASSEMBLY
8	XX110003	RAMP ASSEMBLY
9	XX120001	PLATFORM WELDMENT
10	XX120002	BASE WELDMENT
11	XX120003	SCISSOR LEG WELD
12	XX120004	SCISSOR LEG WELD
13	XX120005	SCISSOR LEG WELD
14	XX120006	SCISSOR LEG WELD
16	XX120023	LIFT LOCKS WELDMENT
17	XX120024	LOCK JAW BAR WELD
18	XX130080	PIN, LONG
19	XX130081	PIN, LONG
20	XX130082	LOWER CYLINDER PIN
21	XX130086	UPPER CYLINDER PIN
22	XX140005	CYLINDER
23	XX140007	SLIDER BLOCK(LOWER)
24	XX140008	UPPER SLIDER BLOCK
25	XX140014Y	BEARING, 25 DIAM. X 25 LONG
26	XX140015Y	BEARING, 25 DIAM. X 35 LONG
27	XX140019Y	BEARING, 25 DIAM. X 50 LONG
28	XX140021	UPPER CENTER PIN
29	XX140022	LOWER CENTER PIN
30	XX140023	PIN, LONG
31	XX140024	PIN, SHORT
32	XX140025	KICKER CENTER PIN
33	XG130007	M20x1.0 SLOTTED ROUND LOCKNUT
34	XX140029	WASHER, THIN PLASTIC
35	XX140064	VELOCITY FUSE
36	FJ2428	RUBBER BLOCK
37	XX140047	PLATFORM BUMPER
38	XX140048	PLATFORM RAIL
39	XX140053Y	BEARING, 20 DIAM. X 20 LONG
40	XX140054	WASHER, THIN PLASTIC
41	XX140055	SLIDER BLOCK
42	XX140056	PIN
43	XX130214	PIN
44	B60-20	SNAP RING
45	B30-10	NUT
46	B201-10X65	HEX BOLT M10 X 65
47	B63-25	SNAP RING
48	XX140062	BEARING, 25 DIAM. X 30 LONG
49	K35-7010	Ø19 WASHER
50	XX130210	CUSHION WELDMENT
51	SB700071Y	RUBBER BLOCK
52	B41-24	Ø24 WASHER
53	B35-5	M5 NUT
54	NP945	NAMEPLATE
55	FJ1009	ANCHOR
56	XX130225	STAINLESS STEEL PLATE
57	B25-6X12	M6 X 12 SCREW

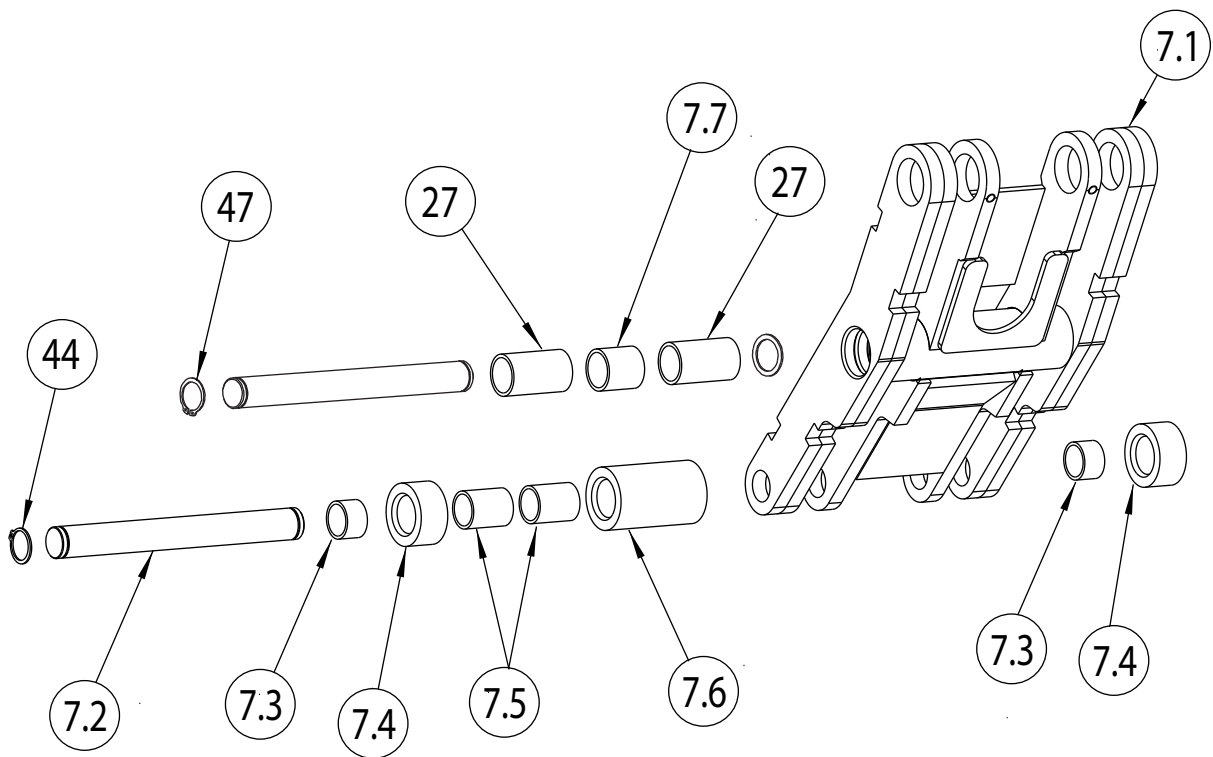






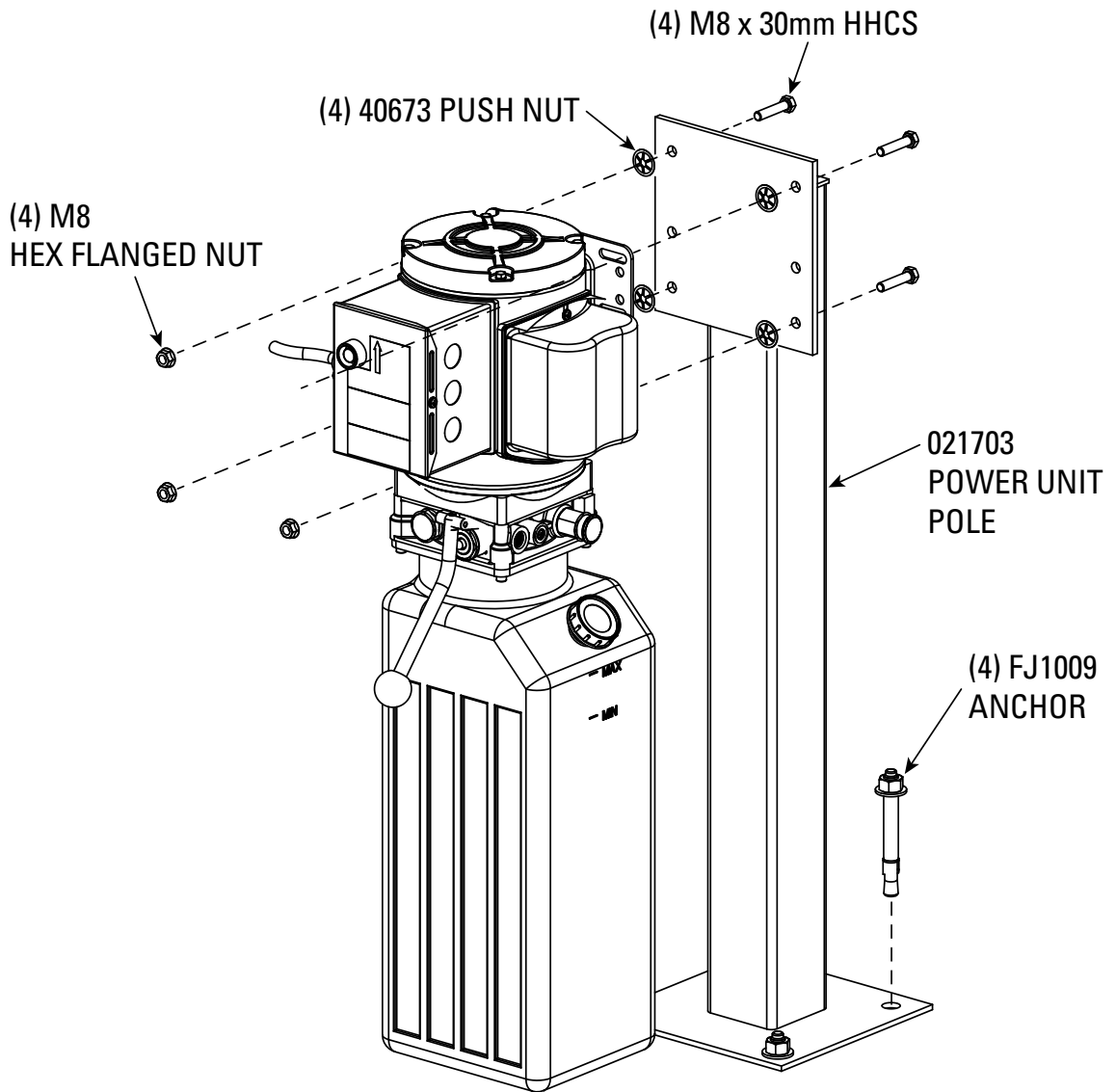
## RAMP ASSEMBLY

ITEM	PART NO.	DESCRIPTION
10.1	B61-12	E-CLIP 14MM
10.2	XX120007	RAMP WELDMENT
10.3	XX120008	RAMP SUPPORT WELDMENT
10.4	XX130063	RAMP ROLLER SHAFT
10.5	XX130064	RAMP ROLLER SHAFT
10.6	XX140009	RAMP ROLLER
10.7	NP1207	NAME PLATE
10.8	XX130236	SMALL ROLLER



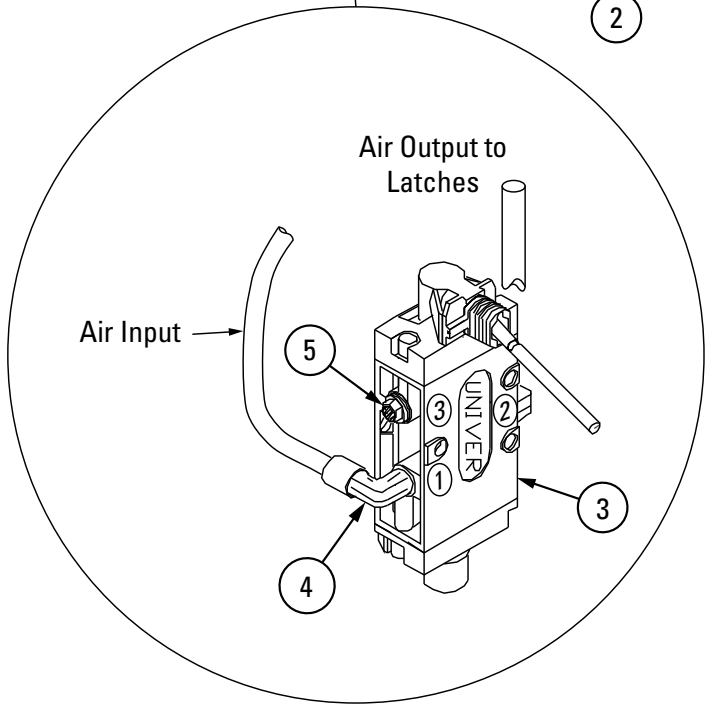
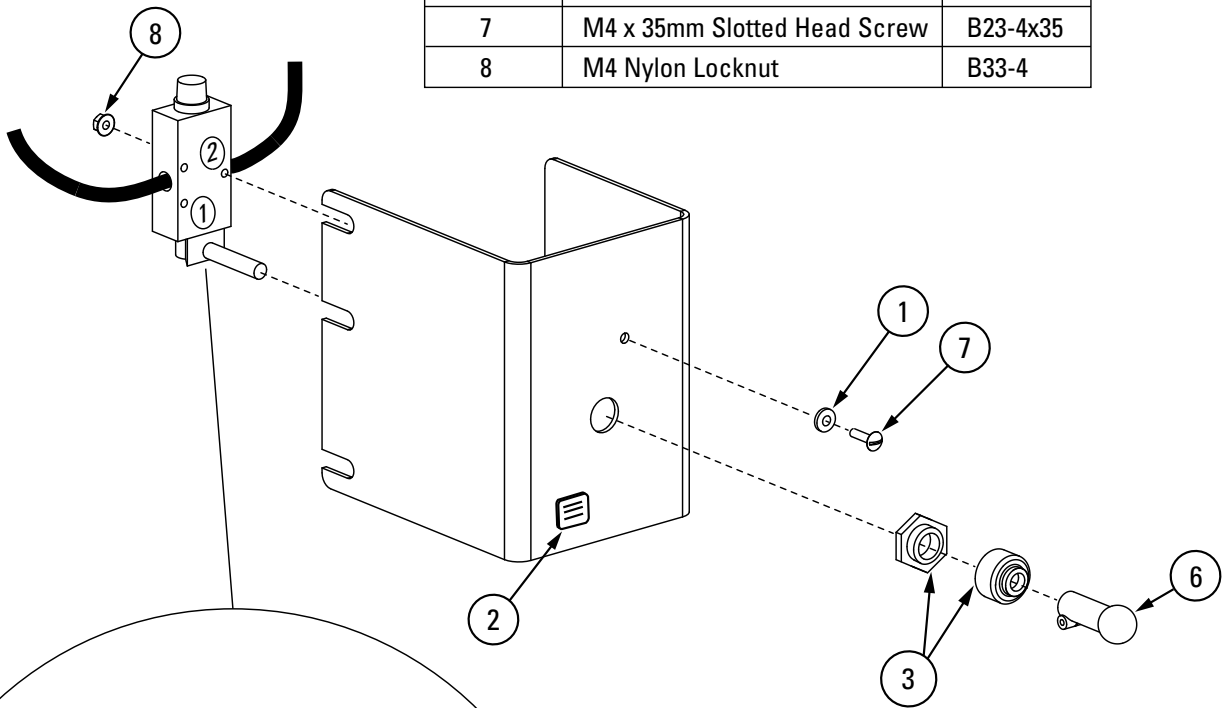
### KICKER ASSEMBLY

ITEM	PART NO.	DESCRIPTION
7.1	XX120009	KICKER WELD
7.2	XX130036	ROLLER PIN
7.3	XX140060	BEARING, 20 DIAM. X 15 LONG
7.4	XX140020	ROLLER
7.5	XX140059	BEARING, 25 DIAM. X 30 LONG
7.6	XX140004	ROLLER
7.7	XX140068Y	BEARING, 25 DIAM. X 30 LONG



AIR LOCK RELEASE VALVE DETAIL

ITEM NO.	DESCRIPTION	PART NO.
1	Ø4mm Flat Washer	B41-4
2	Nameplate	NP280
3	Control Ass'y.	T140073
4	Swivel Elbow	T140074
5	Filter	PVS-01
6	Air Lock Handle	T140119
7	M4 x 35mm Slotted Head Screw	B23-4x35
8	M4 Nylon Locknut	B33-4





## Notes

## Notes

## Notes

**Vehicle Service Group<sup>SM</sup>**  
2700 Lanier Drive  
Madison, IN 47250, USA  
1-800-640-5438  
[www.vsgdover.com](http://www.vsgdover.com)



© **Vehicle Service Group<sup>SM</sup>**  
All Rights Reserved. Unless otherwise  
indicated, **Vehicle Service Group<sup>SM</sup>**,  
and all other trademarks are property  
of Dover Corporation and its affiliates.